

Lime Knx Control Panel

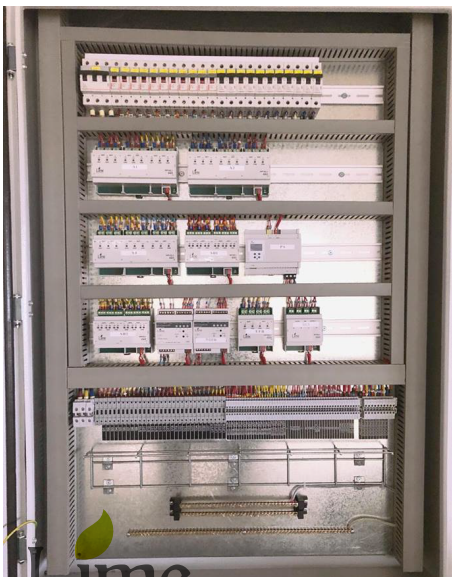
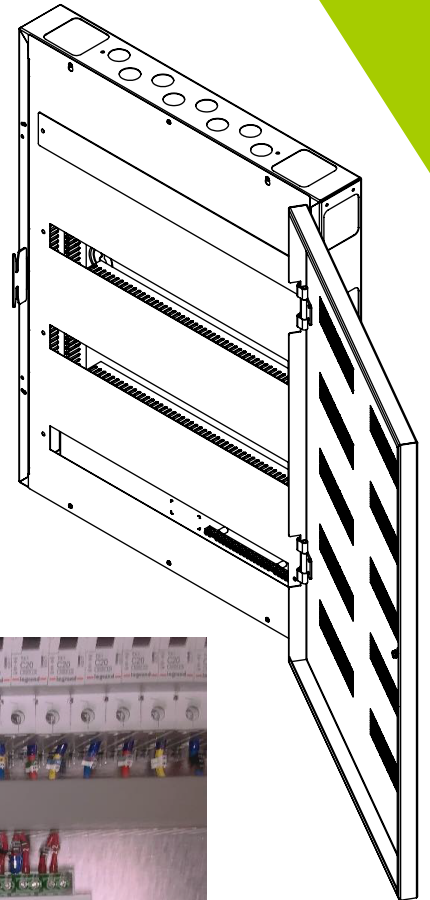
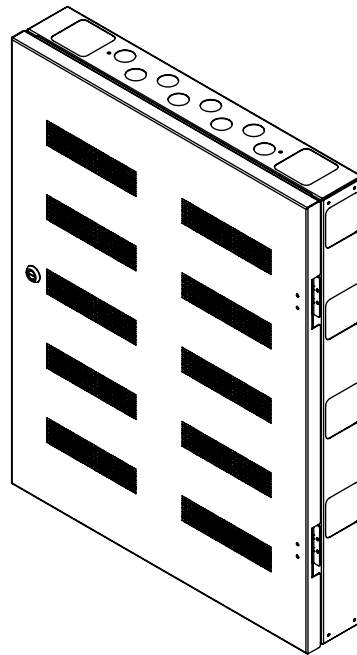
DESIGN HIGHLIGHTS

- Full Cable Managing Trunking
- Easy Installation / Mounting
- Removable Front Cover
- Reversible Locking Vented Door

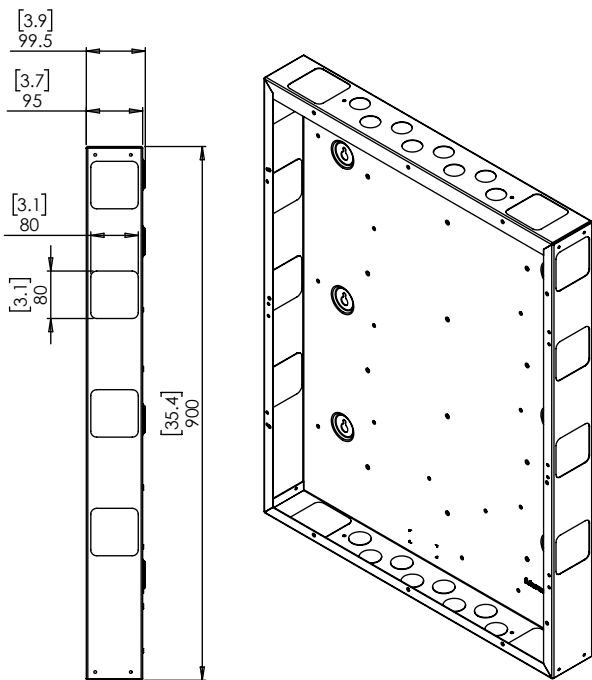
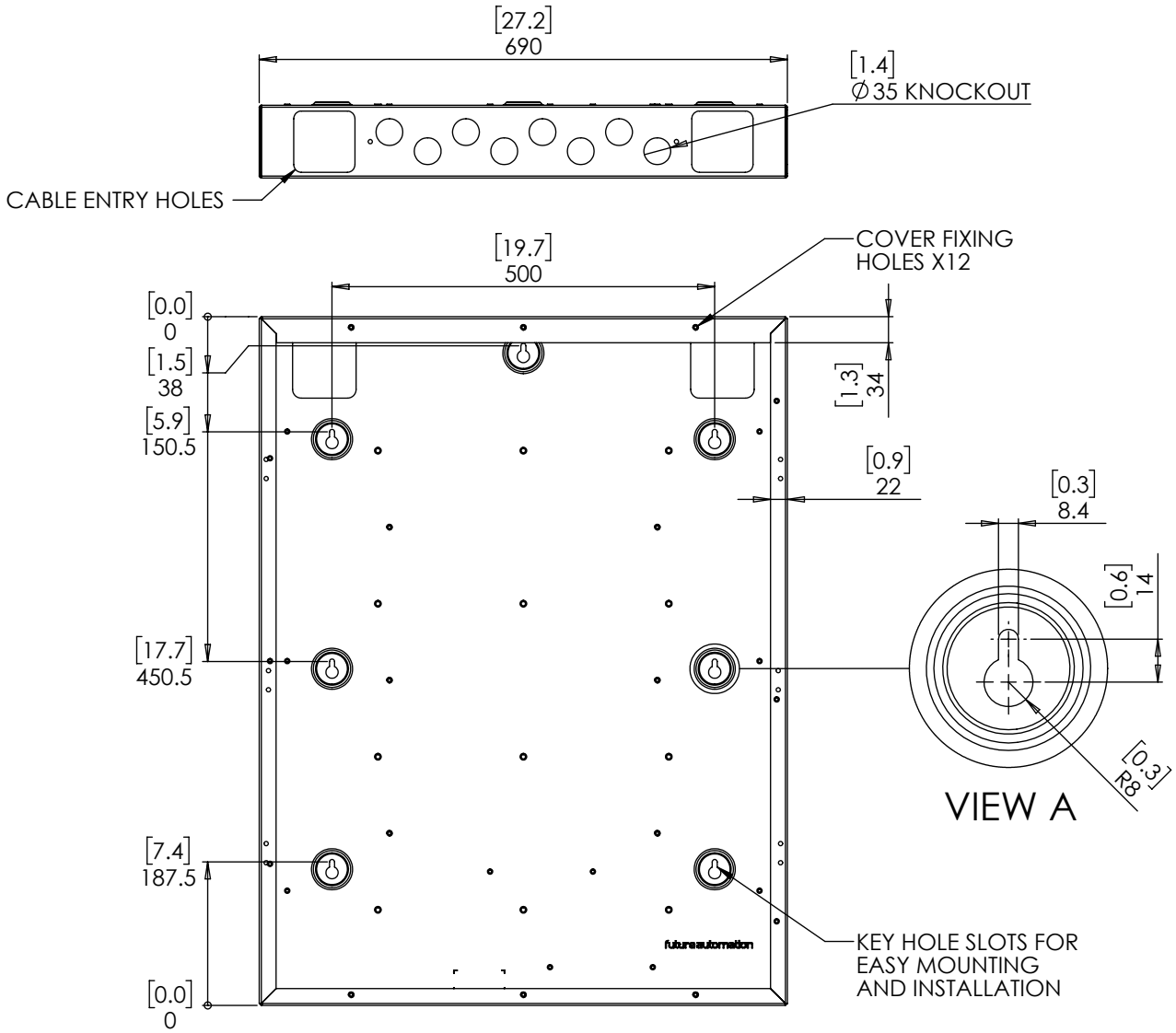
OPTIONS

3 Standard Size Options

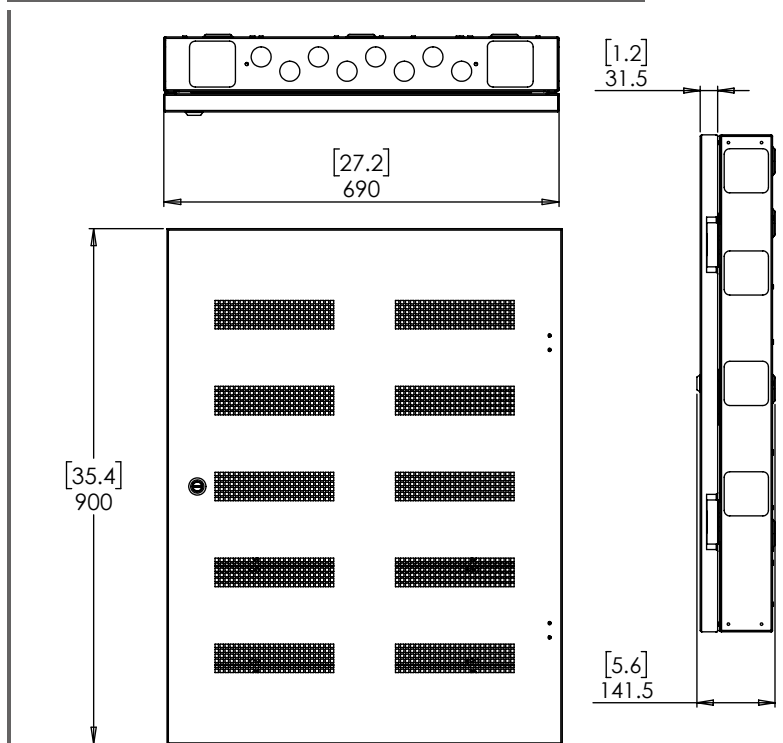
- ★ KXE 3 - 3 DIN RAILS
- ★ KXE4 - 4 DIN RAILS
- ★ KXE5 - 5 DIN RAILS



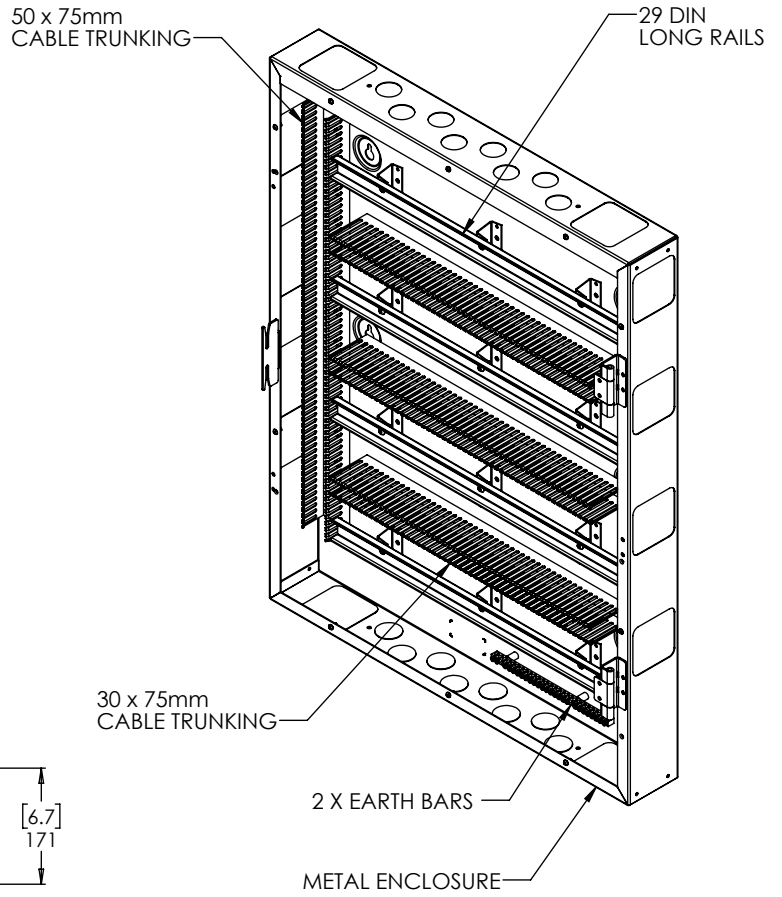
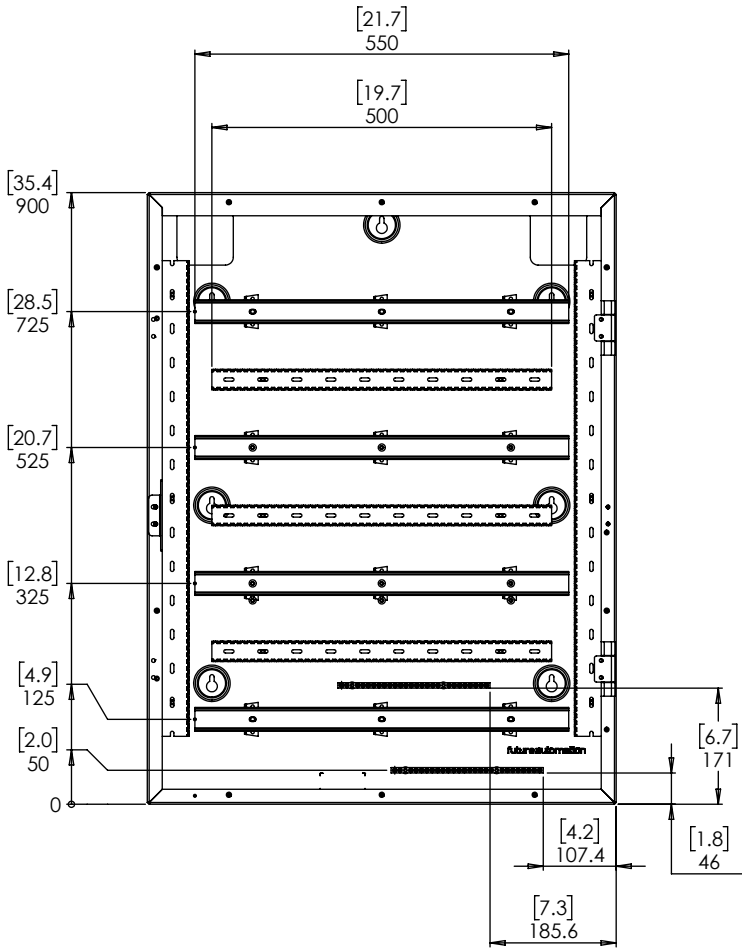
ENCLOSURE DIMENSIONS



OVERALL DIMENSIONS



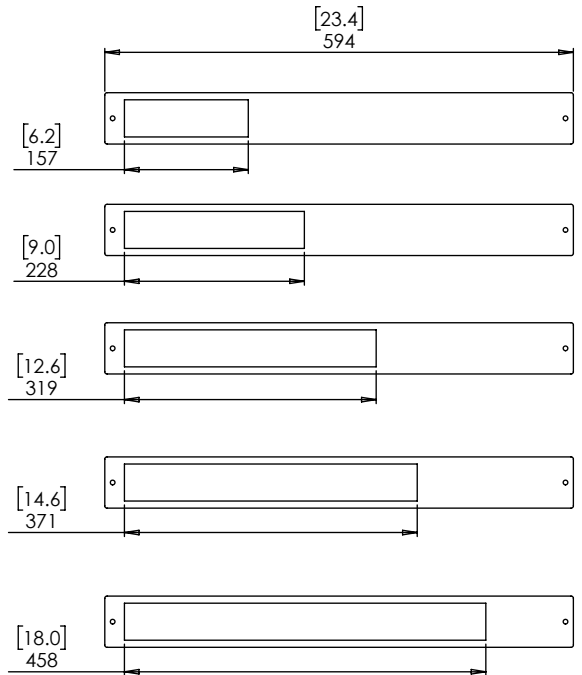
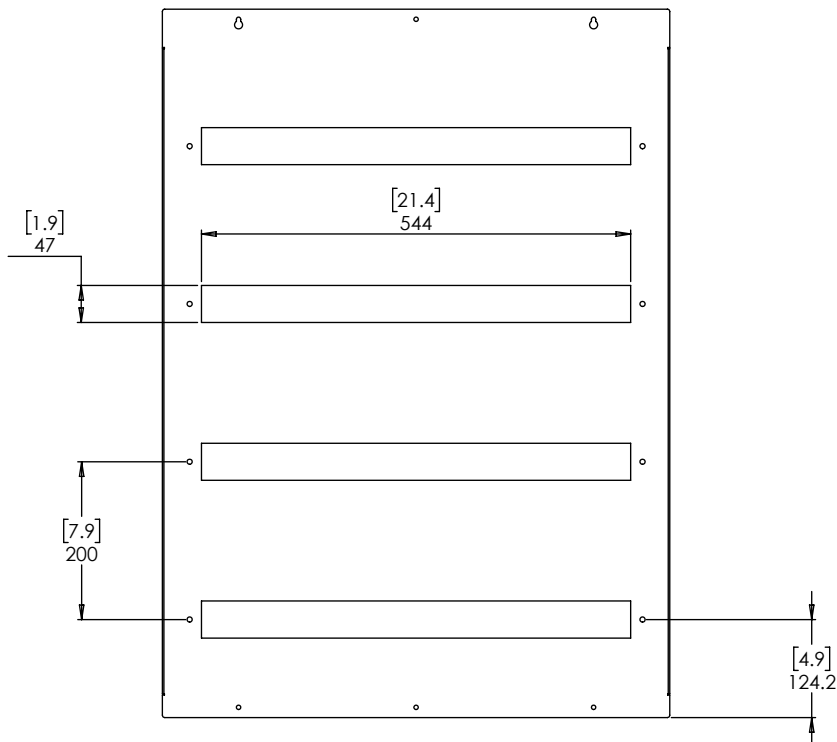
ENCLOSURE LAYOUT



FRONT COVER AND PANEL COVERS

Front cover and panel cover options to suit different set ups

COVER PANEL CONFIGURATIONS SLOT SIZES 157, 228, 319, 371 & 458mm. ALLOWS FOR NEAT FINISHING WITH DIFFERENT SET UPS OF BREAKER AND MODULES



REVERSIBLE DOOR OVERVIEW

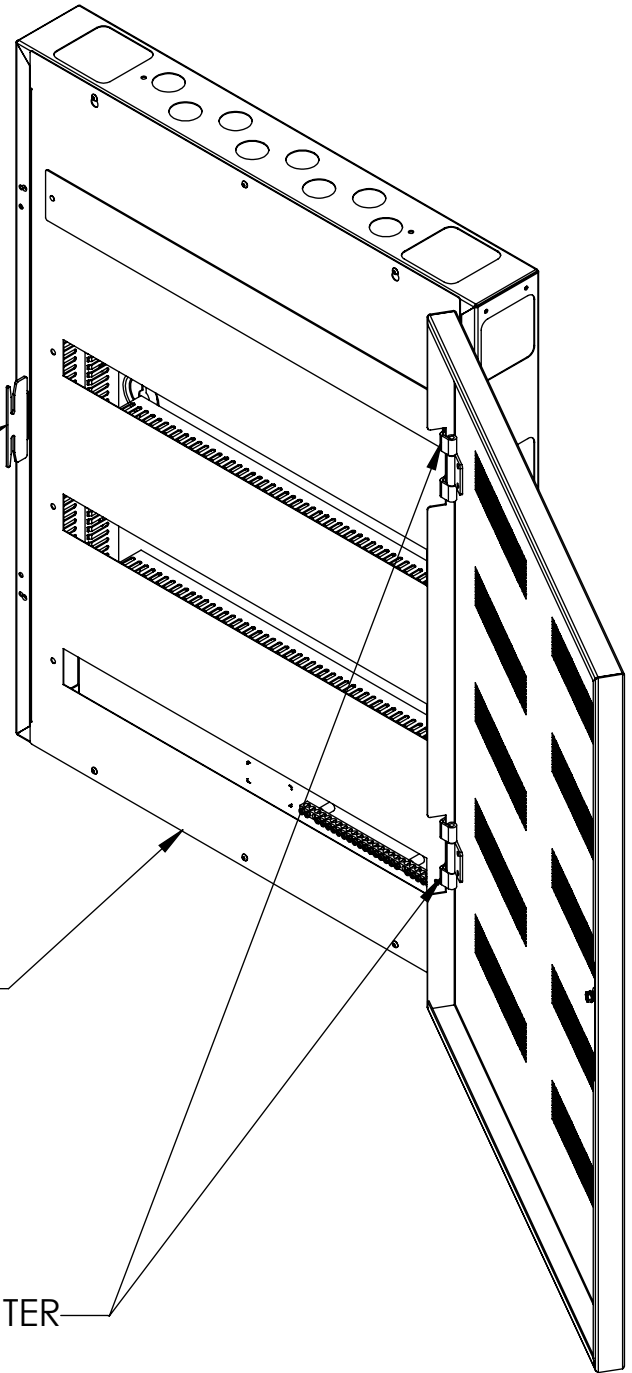
Door shown opening towards right hand side

In order to switch to left hand side opening, simply remove front cover panel and swap latch bracket and hinge outers over

LATCH BRACKET

FRONT COVER PANEL

HINGE OUTER



Support

The standard support is provided by the e-mail address:
Support@lime-smart.com

