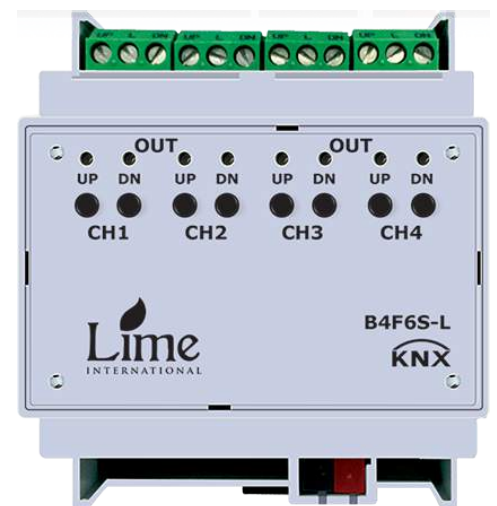




Lime Knx Shutter Actuators



DESCRIPTION

The Netra series 2-fold / 4-fold/ 6-fold shutter/blind-control actuator can control 26/4/ independent shutter/blind motors. The load for each channel is 6A at 250V AC, each channel can be assigned its own mains phase. Each channel has buttons for manual operating and switching status LED`s

TERMINALS

Conductors permitted:

- Single core 0,2 - 4mm²
- Fine wired with end sleeves 0,25 - 2,5mm²

MOUNTING

The device is mounted on DIN rail, DIN EN 60715 TH35

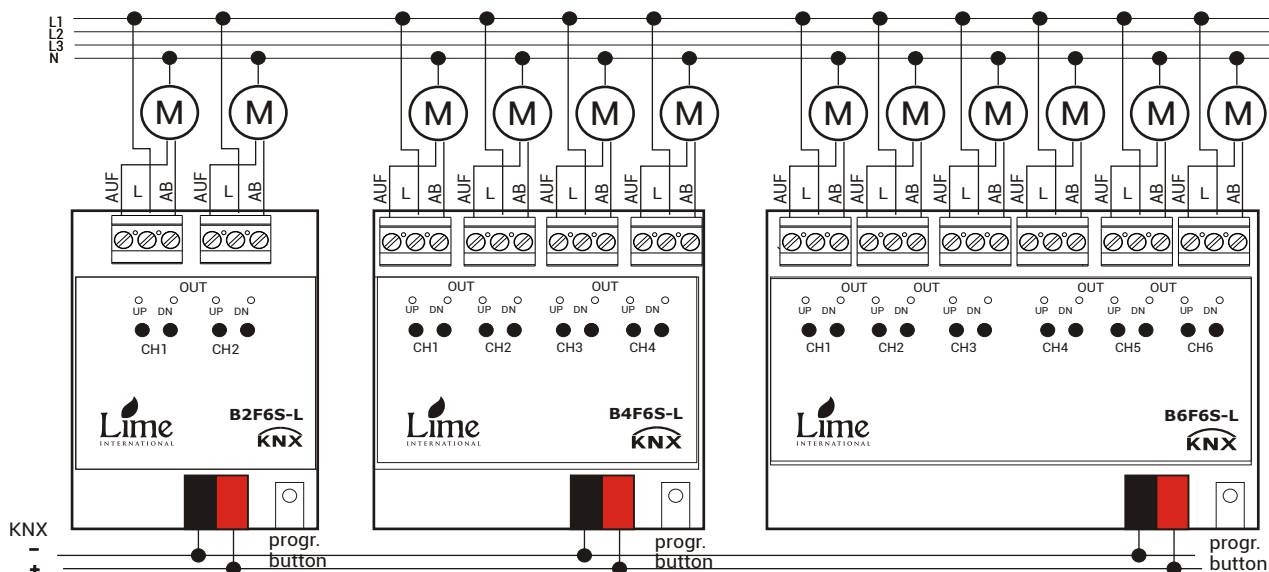
TECHNICAL DATA:

Max. group adresses:	32
Power supply:	24V DC via KNX
Auxillary power supply:	Not necessary
Protection class:	IP 20
Mechanical life-cycle:	10 ⁶ switching operations
Operating temperature	-5 +45 °C
Rated load per contact:	16A / 250V 50..60Hz

DIMENSIONS

- B2F6S-L 53 x 90 x 60 (3 RU*)
- B4F6S-L 71 x 90 x 60 (4 RU*)
- B6F6S-L 106 x 90 x 60 (6RU*)

The total load must not cause overheating of the device!



WARNINGS

The device must only be installed and configured by a qualified professional.

If the 230V outputs are connected to different phases, which are not protected by the same protector unit, a clearly safety note has to be attached to the device!

Health and safety regulations have to be compiled with!

A faulty device must be returned immediately to Lime international.

- Production in Germany, certified according to ISO 9001
- Lockable manual operation and LED indicator for each channel
- Operation mode blind/shutter
- Practical ventilation function (window open/tilt)
- Travel-, pause-at-change-of-direction and step time adjustable
- Tip operation for accurate positioning
- 1 Byte absolute positioning for shutter and blinds
- Alarm, central- and block functions
- Behavior after alarms and block separately adjustable
- Priority/forced operation with automatic release time
- Quick application download (long frame support for ETS5)

CONFIGURATION

Programming the device is provided via the ETS Software and the corresponding product data base.

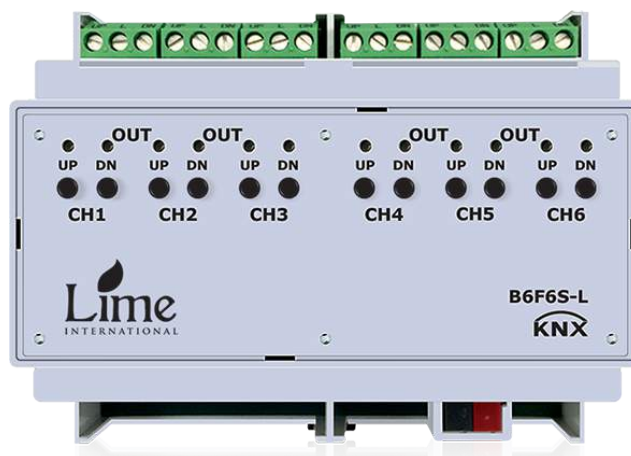
The actual version is available at: www.lime-smart.com in the service area

Legal Notice

The content of this document may not be reproduced, distributed or stored in any form whatsoever, in whole or in part, without the prior written consent of **Lime international**. This information is subject to change without notice or announcement and does not claim to be complete or correct.

Support

The standard support is provided by the e-mail address: Support@lime-smart.com



KNX

This device complies with the KNX guidelines. Detailed knowledge of KNX and KNX training are a pre-condition for understanding and proper installation. Planning, installation and commissioning of the device are done with the KNX-certified software.